

WS-MC-2

WS-MC-2 1 Piece Marine Receiver
OWNER'S MANUAL



PRECISION | INNOVATION | DURABILITY

THANK YOU FOR PURCHASING WET SOUNDS!

Congratulations! Thank You for purchasing the Wet Sounds WS-MC-2 1 Piece Marine Receiver!



Wet Sounds professional marine audio products represent the ultimate in high performance marine audio. Wet Sounds products are specifically engineered to withstand the rigorous marine environment.

Please take a moment to read the instruction manual & connection guide before starting the installation. If you have any questions or concerns, please contact a certified Wet Sounds dealer or Wet Sounds Tech Support:

FCC Compliance Statement

This device complies with Part 15 of the FCC Rules. Operation is subject to the following two conditions.

1. This device may not cause harmful interference, and
2. This device must accept any interference received, including interference that may cause undesired operation.

These limits are designed to provide reasonable protection against harmful interference in a residential installation.

This equipment generates—and can radiate—radio frequency energy and, if not installed and used in accordance with the instructions, may cause harmful interference to radio communications. However, there is no guarantee that interference will not occur in a particular installation. If the equipment does not cause harmful interference to radio or television reception, which can be determined by turning the equipment off and on, the user is encouraged to try to correct the interference by one or more of the following measures:

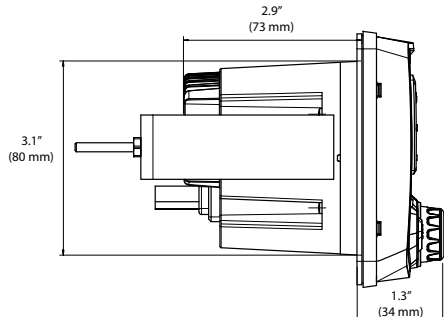
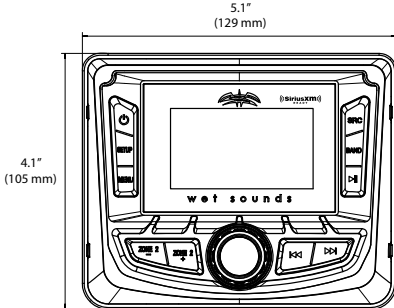
- Reorient or relocate the receiving antenna
- Increase the separation between the equipment and the receiver
- Connect the equipment into an outlet on a circuit different from that to which the receiver is connected.
- Consult the dealer or an experienced radio/TV technician for help.

The provided shielded USB cable must be used with this unit to ensure compliance with the class B FCC limits. Warning: Changes or modifications to this unit not expressly approved by the party responsible for compliance could void the user's authority to operate the equipment.

WS-MC-2 is a marine grade 1- piece receiver

FEATURES INCLUDE:

- AM/FM/Weather Band tuner with RBDS
- Bluetooth Streaming, Auxiliary, USB, & Pandora Inputs
- SiriusXM-Ready™ (SiriusXM Connect Tuner and Subscription sold separately)
- Simple & Secure Bluetooth Pairing for Android & IOS (A2DP/AVRCP 1.4)
- 2.7" Ultra Bright full color TFT display – displays album art via compatible devices
- Playlist & folder browsing via BT or USB Connection via compatible devices
- Internal Power Amplifier 4x50W @ 2 Ohm Max Output
- Front & Rear Preamp outputs with fading capability
- Front Panel Mounted Independent Secondary Zone Control – Full Range or Subwoofer
- Adjustable Input Gains for all inputs
- Day/Night Illumination & Dimming
- Accepts the optional MC-TR transom remote



Included with the WS-MC-2:

- Wiring Harness & Mounting hardware

Please take a moment to read the instruction manual & connection guide before starting the installation. If you have any questions or concerns, please contact a certified Wet Sounds dealer or Wet Sounds Tech Support:



0800 WET SND - 0800 938 163

www.wetsounds.nz



1. Main Control Knob (MCK) This allows adjustment of Main Volume, as well as making selections when the SETUP and MENU features are being used. Rotate the MCK to highlight a feature, then depress the MCK to select the highlighted feature.

2. POWER/MUTE Press & hold this button for power on/off. Short press this button to MUTE/UNMUTE the volume of all zones. The MC2 will confirm the volume is muted in the display.

3. SETUP Allows access to controls that affect all functions of the MC2. Rotate the MCK until the desired function is highlighted, then depress the MCK for access. The functions are:

AUDIO Allows access to the following audio adjustments:

BALANCE/FADER Allows adjustment of the Balance (Left/Right) and Fader (Front Rear) of the main outputs – both powered & pre-amp. Rotate the MCK to highlight the desired function, depress the MCK then rotate the MCK to adjust the function.

EQUALIZATION The WS-MC-2 has 7 different factory equalization settings for the 7 Band equalizer. Also available is CUSTOM setting, allowing the user to set their own equalization curve.

Rotate & depress the MCK to select one of 7 the bands of equalization, rotate the MCK to adjust.

CROSSOVER Select to allow adjustment of the Crossovers:

FRONT HPF This controls the frequencies which are allowed to pass through the Front outputs – both powered and pre-amp. Choosing 60Hz, 80Hz, or 120Hz means that all frequencies below those will be blocked from passing. Choosing All Pass Filter will allow all frequencies to pass through the front outputs.

REAR HPF Same as above, but affects the Rear Outputs.

ZONE 2 LPF *NOTE* – this control is only available when the ZONE 2 output is set to SUBWOOFER. This controls the frequencies which are allowed to pass through the ZONE 2 outputs – which are mixed mono & Pre-amp only. Choosing 60Hz, 80Hz, or 120Hz means that all frequencies above those will be blocked from passing. This would be ideal for an amplifier driving a subwoofer or a self-amplified subwoofer. Choosing All Pass Filter will allow all frequencies to pass through the ZONE 2 Outputs. This would be ideal for an amplifier driving a set of Tower Speakers.

SOURCE GAIN Often times the output of different sources varies widely, resulting in an abrupt volume change when switching from one source to another. This setting will compensate for that variance by allowing adjustment of the output of each source input individually with a range of -3dB to +3dB.

INTERNAL AMP When bypassing the WS-MC-2's internal amplifier and using solely external amplifiers, set this control in the OFF position for greater efficiency.

ZONE 2 This control changes the label of the ZONE 2 Output to either FULL RANGE or SUBWOOFER. *NOTE* - this only affects the label shown on the MC2 Display when the ZONE 2 front panel controls are adjusted. To adjust the actual crossover settings, refer to the crossover controls above. The Z2 output is always a mixed mono output - even when in FULL RANGE.

TUNER REGION The MC2 is defaulted to receive broadcasts in the USA region, but Russia, Latin America, Asia, Japan, Middle East, Australia & Europe regions are also available through this setting.

SOFTWARE Allows access to the software menu of the MC2:

VERSION Displays what version of the operating software is currently running on the MC2.

Visit www.wetsounds.com/downloads to see the most up to date MC2 operating software.

UPDATE Allows the operating software of the MC2 to be updated while still installed in the vehicle.


For detailed Software updating instructions, please visit www.wetsounds.com.

DAY NIGHT MODE Allows the ability to scroll through the display options of **DAY** (white screen/black characters) **NIGHT** (black screen/ white characters) or **AUTO**. In AUTO mode, the display is in DAY mode until the vehicle's lights are turned on, then the display goes into NIGHT mode. PLEASE NOTE – in order for the AUTO function to operate properly, the Orange wire in the MC-2 harness labeled DIM INPUT must be wired to a circuit in the vehicle that gets +12V whenever the main lighting switch is turned on.

FACTORY DEFAULT Selecting this will return all settings of the MC2 back to the original.

4. MENU Allows access to functions that are different on each source

5. SOURCE (SRC) Allows access to five different sources:

RADIO OPERATION Press SOURCE, then select the  symbol for radio. To select between FM1/FM2/AM/Weather Band, press the BAND button (#6), or select in the MENU.

Short Press the |<< >>| buttons (#10/#11) to automatically seek the next strongest station either up or down.

Long press the same buttons to Manually Tune either up or down.

Press **MENU** while in Radio operation to select between the following features:

PRESETS Press PRESET to display what stations are set, then rotate the MCK to highlight a selection, then press the MCK to select that station.


ADD PRESETS Allows the manual addition of station presets.

BAND Choose from FM1 (6 presets); FM2 (6 Presets); AM (6 Presets); and Weather Band (6 Presets)

AUTO STORE Will automatically store Presets into the BAND currently being used.

LOCAL Select ON/OFF to enable the MC2 to narrow tuning to local stations only.

RBDS Select ON/OFF to enable or disable the Radio Broadcast Data System. Note – not all FM radio stations support RBDS, so availability of this feature may be limited.

USB OPERATION Press SRC, then select the  symbol to access the USB input. Please note – if there is nothing plugged into the USB port on the MC2, this selection will not be possible. The USB port on the MC2 is capable of both connecting & charging Apple devices & only charging many Android devices. The MC2 can also read MP3 files via a USB drive. PLAY/PAUSE (#7) Forward/Reverse Track (#10/#11) will operate when in USB mode. Album Art is available for display on compatible MP3 files.

Press **MENU** while in USB operation to select the following features:

BROWSER Press this to display all the selections available via the USB input. Rotate the MCK to highlight, then depress the MCK to choose your selection.

REPEAT Choose between repeating **ONE** selection, only the selections in the current **FOLDER** or **ALL** selections available.

SHUFFLE Choosing between **ON/OFF** to enable random order play of only the current **FOLDER** or **ALL** selections available.

BLUETOOTH STREAMING OPERATION Press SRC, then select the  symbol to access the Bluetooth streaming input. To connect a Bluetooth compatible device to the MC2, make sure no other devices are paired to the MC2, then be sure to enable BT on the device. Search on the device's Bluetooth menu for "WETSOUNDSMC2" and connect with it. The MC2 will confirm connection on the display.

PLAY/PAUSE (#7) Forward/Reverse Track (#10/#11) will operate when in Bluetooth mode. Album Art is available for display on compatible devices.

Press **MENU** while in USB operation to select the following features:

BROWSER Press this to search for Playlists, Artists, Albums, Genres, Songs, Composers, Audio Books, or Podcasts.

REPEAT Choose between repeating **ONE** selection, or **ALL** selections available.

SHUFFLE Choose between **ON/OFF** to enable random order play, or **ALL** selections available.

SiriusXM® Operation

Only SiriusXM® brings you more of what you love to listen to, all in one place. Get over 140 channels, including commercial free music, plus the best sports, news, talk, comedy and entertainment. Welcome to the world of satellite radio. A SiriusXM Connect Tuner and Subscription are required. For more information, visit www.siriusxm.com

Activating your SiriusXM Subscription

After installing your SiriusXM Connect Tuner and antenna, power on your source unit and select SOURCE (2x), then SiriusXM. You should be able to hear the SiriusXM Preview Channel on Channel 1. If you cannot hear the preview channels, please check the installation instructions to make sure your SiriusXM Connect Tuner is properly installed.

After you can hear the Preview channel, tune to Channel 0 to find the RADIO ID of your tuner. In addition, the Radio ID is located on the bottom of the SiriusXM Connect Tuner and its packaging.

You will need this number to activate your subscription.

Write down the number for reference.

Note: The SiriusXM Radio ID does not contain the letters I, O, S, or F.

In the USA, you can activate online, or by calling SiriusXM listener care:

- Visit www.siriusxm.com/activatenow
- Call SiriusXM Listener Care at 1-866-635-2349

For Canadian Subscriptions, please contact:

- Visit www.siriusxm.ca/activatexm
- Call XM Customer Care at 1-877-438-9677

As part of the activation process, the SiriusXM satellites will send an activation message to your tuner. When your radio detects that the tuner has received the activation message, your radio will display “Subscription Updated”. Once subscribed, you can tune to channels in your subscriptions plan. Note, the activation process usually takes 10 to 15 minutes, but may take up to an hour. Your radio will need to be powered on and receiving the SiriusXM signal to receive the activation message.



SETTINGS

To access the SiriusXM SETTINGS, short press the MENU when using the SiriusXM source. This will give you access to the settings specific to SiriusXM (SXM>Presets>Add Presets>Remove Presets>Channels>Category).

SiriusXM PRESET BANDS (SXM)

Short press the encoder button to access the SiriusXM PRESET options (SXM1>SXM2>SXM3). Using this feature allows you to have separate satellite preset groups to choose from. Use the FWD and REV buttons to scroll through the TUNER groups.

PRESETS

Short press the encoder button to access the PRESETS list. Using this feature allows you to see what PRESETS are saved on the unit.

ADD PRESETS

Short press the encoder button on the ADD PRESETS option. You will need to be on both the channel and PRESET group you want to add first (SXM1>SXM2>SXM3). Using this feature allows you to save channels to the unit. Once selected, use the rotary encoder to select the PRESET number (1-6) you want the channel saved to.

REMOVE PRESETS

Short press the encoder button on the REMOVE PRESETS option. You will need to be under the PRESET group you want to adjust first (SXM1>SXM2>SXM3). Using this feature allows you to remove saved channels on the unit. Once selected, use the rotary encoder to select the PRESET number (1-6) of the channel you want removed.

CHANNEL

Short press the encoder button on the CHANNEL option to select this feature. This feature displays a complete listing of channels.

CATEGORY

Short press the encoder button on the CATEGORY option to select this feature. This feature allows you to search channels based on their CATEGORY type.

DIRECT TUNING

Short press the encoder button on the DIRECT TUNING option to select this feature. This feature allows you to directly tune to a channel if you already know the channel number. Rotate the encoder until you reach the desired numeral and press to enter your selection. Repeat until the channel number is completed.

PARENTAL CONTROLS

Short press the encoder button on the PARENTAL CONTROL option to select this feature. This feature allows you to easily lock and unlock channels with mature content. To turn this feature on, short press the encoder on PARENTAL CONTROLS to select. You will be asked to enter a code to activate it. Enter "1111" for your code. Once the code is entered correctly, this will give you access to the PARENTAL CONTROL features (Lock Channels>Change My Code).

Use the encoder knob to scroll through the options and short press to select.

LOCK CHANNELS

Short press the encoder button on the LOCK CHANNELS option to select this feature. This feature allows you to select certain channels to be locked out for listening. When trying to listen to locked channels, you will need to enter the correct code to listen to them. Use the rotary encoder to input code.

CHANGE MY CODE



Short press the encoder button on the CHANGE MY CODE option to reset the PARENTAL CONTROL code. Use the rotary encoder to input the code.

ALBUM ART

Album art can be displayed for most of the SiriusXM music channels. When album art is not available, the channel logo or the SiriusXM logo will be displayed.

Note-- Compatible with SXV200 or later tuner models. Not all music channels contain album art images

PANDORA OPERATION

This feature allows control of the Pandora application from the MC2 directly (Android users are limited to Bluetooth connection only, while IOS users can use both USB and Bluetooth). The  Pandora app will need to be started on the device first, then press SRC, then select the  symbol on the MC2. PLAY/PAUSE (#7) Forward/Reverse Track (#10/#11) will operate when in Pandora mode. Album Art is available for display on compatible tracks.

Press **MENU** while in Pandora operation to select the following features:

STATIONS Select this to display the stations that have been created on the Pandora account linked to the device.

BOOKMARK and **STATIONS MANAGE** allow the ability to customize Pandora settings from the MC2.

AUXILIARY INPUT OPERATION Press SOURCE, then select the  symbol to allow access to the 3.5mm auxiliary input on the MC2. This can be used to allow connection of a variety of audio sources.

BAND This enables changing the tuner from FM1/FM2/AM/WB modes.

PLAY/PAUSE This is active when using the Bluetooth Streaming or Pandora sources. Press once for pause, once again for play.

ZONE 2 - Decrease the output sent to the ZONE 2 preamp outputs.

ZONE 2 + Increase the output sent to the ZONE 2 preamp outputs. Please note – the main volume control will still override final output of Front, Rear & ZONE 2 outputs.

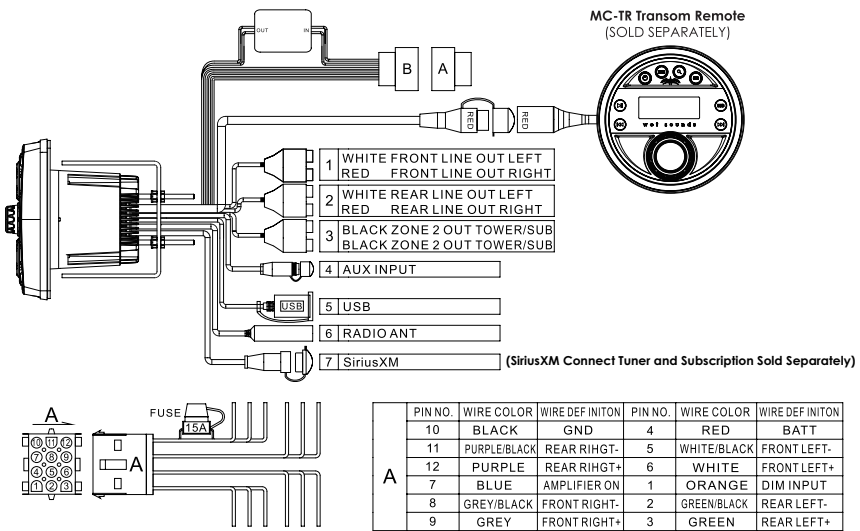
TRACK BACK/RADIO TUNER SEEK DOWN In Bluetooth or Pandora mode, this will go back to the previous track. In Radio mode, this will seek out the strongest station in decreasing frequency order.

TRACK FORWARD/TUNER SEEK UP In Bluetooth or Pandora mode, this will go forward to the next track. In Radio mode, this will seek out the strongest station in increasing frequency order.

WS-MC2 WET SOUNDS 1 Piece Marine Receiver



Wiring Harness Diagram



Symptom	Diagnosis	Solution
SiriusXM		
"Check Antenna" is displayed	The unit has detected a fault with the SiriusXM antenna. The antenna cable may be either disconnected or damaged.	Verify that the antenna cable is connected to the SiriusXM Connect Tuner. Inspect the antenna cable for damage and kinks. Replace the antenna if the cable is damaged. SiriusXM products are available at your local car audio retailer or online at www.shop.siriusxm.com
"Check Tuner" is displayed	The radio is having difficulty communicating with the SiriusXM Connect Tuner. The tuner may be disconnected or damaged.	Verify that the SiriusXM Connect Tuner cable is securely connected to the radio
"No Signal" is displayed	The SiriusXM Connect Tuner is having difficulty receiving the SiriusXM satellite signal.	<p>Verify that your vehicle is outdoors with a clear view of the sky.</p> <p>Verify that the SiriusXM magnetic mount antenna is mounted on a metal surface on the outside of the vehicle.</p> <p>Move the SiriusXM antenna away from any obstructions.</p> <p>Inspect the antenna cable for damage and kinks.</p> <p>Consult the SiriusXM Connect Tuner installation manual for more information on antenna installation. Replace the antenna if the cable is damaged.</p> <p>SiriusXM products are available at your local car audio retailer or at www.shop.siriusxm.com</p>

Symptom	Diagnosis	Solution
SiriusXM continued		
"Subscription Updated" is displayed	The radio has detected a change in your SiriusXM subscription status. Press "Enter" to clear the message	In the U.S.A. visit www.siriusXM.com or call 1-866-635-2349 if you have questions about your subscription. In Canada, visit www.siriusxm.ca or call 1-877-438-9677 if you have questions about your subscription.
"Channel Not Available" is displayed	The channel that you have requested is not a valid SiriusXM channel or the channel that you were listening to is no longer available. You may also see this message briefly when first connecting a new SiriusXM Connect Tuner.	Visit www.siriusxm.com for more information about the SiriusXM channel lineup.
"Channel Not Subscribed" is displayed	The channel that you have requested is not included in your SiriusXM subscription package or the channel that you were listening to is no longer included in your SiriusXM subscription package	In the U.S.A. visit www.siriusxm.com or call 1-866-635-2349 if you have questions about your subscription package or if you would like to subscribe to this channel. In Canada visit www.siriusxm.ca or call 1-877-438-9677.
"Channel Locked" is displayed	The channel you have requested is Locked by the radio Parental Control	See page 10 for more information on the Parental Control feature and how to access locked channels.

SiriusXM and all related marks and logos are trademarks of Sirius XM Radio, Inc. All rights reserved.

The Bluetooth® word mark and logos are registered trademarks owned by Bluetooth SIG, Inc.

iPhone® are registered trademarks of Apple.

Pandora, the Pandora logo, and the Pandora trade dress are trademarks or registered trademarks of Pandora Media, Inc.

Used with permission.

What This Warranty Covers This is a "limited" warranty. This warranty covers any defect in materials and workmanship. This warranty only covers the original purchaser and is not transferable. This warranty is also only valid if the original purchase was made from an authorized Wet Sounds™ dealer.

How Long Coverage Lasts This warranty extends for 2 years from the date of purchase. It is recommended to REGISTER your warranty online within 45 days of purchase at www.wetsounds.com – click on "warranty registration".

What Is Not Covered This warranty does not cover fading or discoloration caused by exposure to sunlight or chemicals such as ammonia, household bleach, or any cleaning material that contains abrasive substances. Wet Sounds, Inc. does not cover the expense for removal or re-installation. Additionally, shipping TO Wet Sounds, Inc. must be paid for by the purchaser. This warranty is void and inapplicable if Wet Sounds deems that the product was abused or misused; including but not limited to damage caused by accident, mishandling, improper installation, removing the inline fuse on the power connection, negligence, normal; wear and tear, excessive water or heat damage, freight/shipping damage, or products that have been disassembled by anyone other than Wet Sounds technical staff. Wet Sounds will not be responsible for any incidental or consequential damages, except to the extent provided (or prohibited) by applicable law. This warranty gives you specific rights, and you may also have other rights which vary from state to state.

What Wet Sounds, Inc. Will Do Wet Sounds, Inc. will repair any part of your product that proves to be defective in materials or workmanship. In the event repair is not possible, Wet Sounds will replace the product in question. If it is deemed necessary Wet Sounds, Inc. will either replace the entire product with a refurbished unit or it will be replaced with a model that is similar in price is that model is no longer available. Labor costs and materials needed to complete this service will be at No Charge to the purchaser. Additionally, return shipping FROM Wet Sounds, Inc. to the purchaser will be paid for by Wet Sounds.

How To Get Service Contact Wet Sounds, Inc. either by phone (877-938-7757) or by email (warranty@wetsounds.com). A service representative will assist you in confirming that the problem you are experiencing is caused by a defective product and if that product is covered under warranty. The service representative will issue you a Return Manufacturer's Authorization (RMA) and other details to obtain service for your product.

DO NOT RETURN YOUR PRODUCT WITHOUT THE PROPER RETURN AUTHORIZATION (RMA)!

Internet Warning Wet Sounds, Inc. products sold on any non-authorized web site or internet auction site are void of any and all manufacturer's warranty. Please contact Wet Sounds 0800 938763 or visit our web site (www.wetsounds.com) for a list of authorized online sellers or to find an authorized installing retailer near you.





WET SOUNDS NZ
www.wetsounds.nz

0800 938 163

www.wetsounds.nz

